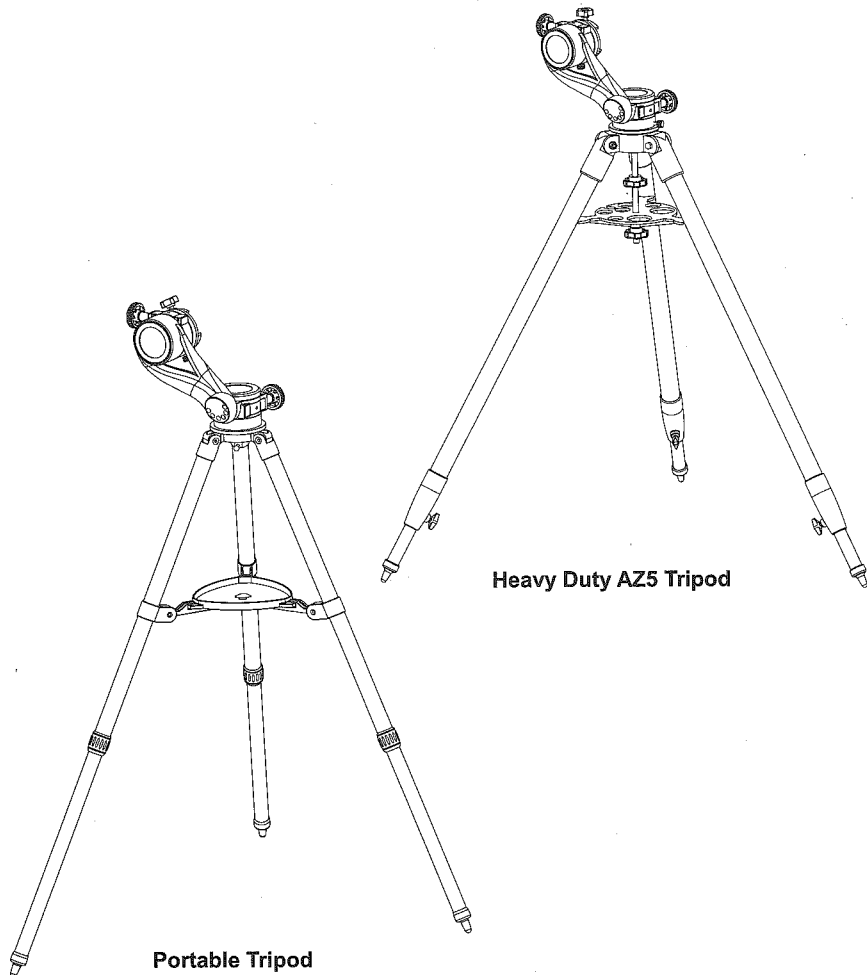


INSTRUCTION MANUAL

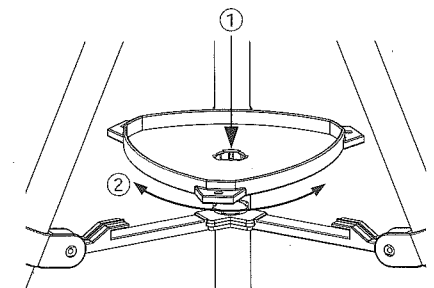
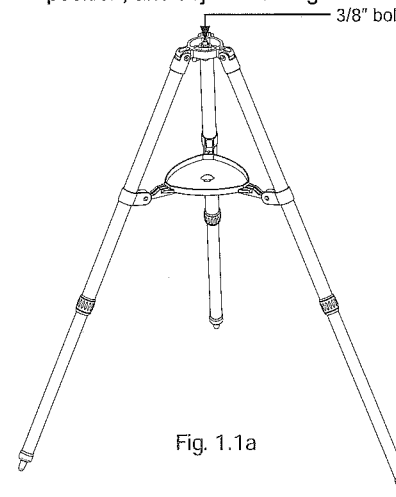
AZ5 Mount



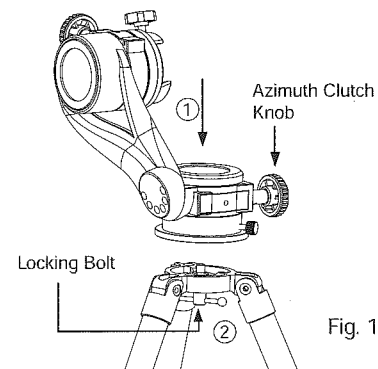
PART I : SETTING UP THE AZ5 MOUNT

1.1 Setting Up on a Portable Tripod

1. Fully expand the three legs of the tripod on level ground (Fig. 1.1a).
2. Install the accessory tray on the tripod as shown in Fig. 1.1b.
3. Align the 3/8" socket at the base of the mount with the bolt on the tripod head. Lock the mount on the tripod by tightening the bolt (Fig. 1.1c).
4. Extend the legs to the desired height. Make sure the bubble level on the mount is at central position, and adjust the lengths of the tripod legs as necessary to achieve that.



- ① Align the accessory tray and push down on it while holding onto the bottom supports
- ② Rotate the tray to lock it into place.



WARNING: The accessory tray of a portable tripod ensures that the tripod legs are firmly expanded, which prevents the tripod from accidentally tipping over. When using the AZ5 mount on a portable tripod, an accessory tray should always be used to ensure stability.

TIP: Completely tightening the azimuth clutch knob would prevent the mount from rotating around its azimuth axis and make it easier to screw the mount onto the tripod.

1.2 Setting Up on a Heavy Duty AZ5 Tripod

1. Fully expand the three legs of the AZ5 tripod on level ground.
2. Locate the locking clamps on the legs and turn counter-clockwise to unlock them to extend the tripod legs (Fig.1.2a).
3. Extend the legs to desired height. Make sure the tripod top is level and then lock the clamps.
4. Place the AZ5 mount on the top of the tripod, align the underneath thread hole with the locking shaft. While supporting the mount with one hand, gently push the locking shaft up against the underside of the mount and turn the shaft counter-clockwise to secure the mount to the tripod top firmly (Fig. 1.2b).
5. Slide the accessory bracket along the locking shaft until its three tips push against the tripod legs and secure the bracket with the washer and the locking screw (Fig. 1.2c).

WARNING: The accessory bracket ensures that the tripod legs are firmly expanded, which prevents the tripod from accidentally tipping over. When using the AZ5 mount on the tripod, the accessory bracket should always be used to ensure stability.

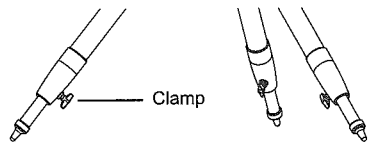


Fig. 1.2a

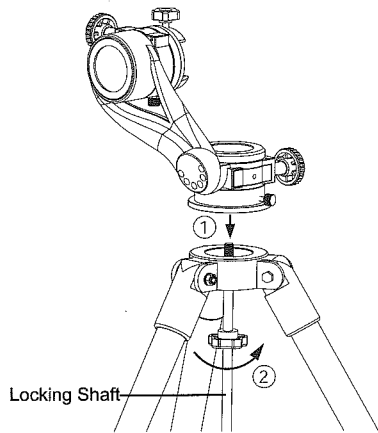


Fig. 1.2b

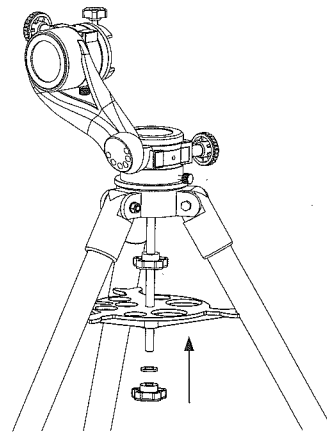


Fig. 1.2c

2.1 Adjusting Clutch Tension

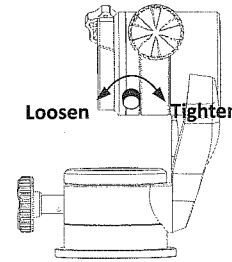


Fig. 2.1a

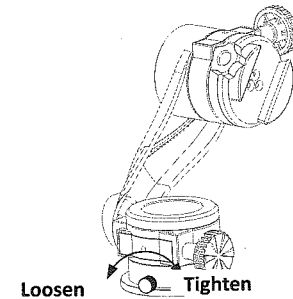


Fig. 2.1b

1. Use the knobs indicated in Fig. 2.1a and Fig. 2.1b to adjust the tension of the clutches of altitude axis and azimuth axis.
2. Fully release the clutches for moving quickly, half engage the clutches for centering objects in the FOV of telescope and fully lock the clutches if you do not want the telescope to be moved accidentally.

2.2 Mounting a Telescope

1. Loosen the altitude clutch (Fig. 2.1a) and rotate the saddle to level the dovetail groove, with the locking knob above the saddle (Fig. 2.2), and then fully tighten the altitude clutch again.
2. Loosen the locking knob until it does not obstruct in the dovetail groove.
3. Slide the dovetail bar on the telescope into the dovetail groove, then tighten the locking knob to secure the dovetail bar in the groove.
4. While holding the telescope, fully loosen the altitude clutch to check the balance of the telescope on the altitude axis. If necessary, slide the dovetail bar back and forth in the groove to obtain balance. Make sure that the locking knob is tightened before let go of the telescope.
5. Use the two slow motion knobs to fine tune the object's position in the telescope's FOV.

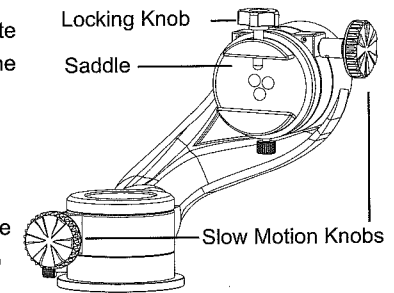


Fig. 2.2

PART II: USING THE AZ5 MOUNT

2.3 Switching Arm Profiles

The arm of the AZ5 mount has two profiles to support different types of telescopes. The low profile (Fig. 2.3a) allows using of longer telescopes to observe objects high in sky; while the high profile (Fig. 2.3b) provides better stability for heavier telescopes, lower down-looking angle for viewing terrestrial objects.

To switch between the two profiles, use a 4mm Allen(Hex) key to remove the screws indicated in the figures and use the other pair of mount holes to fix the arm to the base.

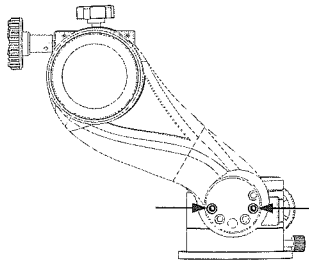


Fig. 2.3a

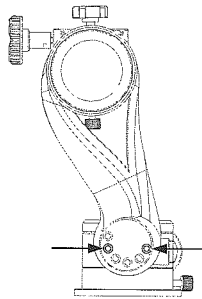


Fig. 2.3b

Specifications

Weight of Mount:	2.3kg (Tripod excluded)
Weight of Tripod:	5.6kg for Heavy Duty AZ-5 Tripod, 1.8kg for Portable Tripod
Payload:	9 kg with Heavy Duty Tripod, 5kg with Portable Tripod
Ring Gear:	96 Teeth
Azimuth Range:	360 Degree
Altitude Range:	Up to 90 Degree, as low as -50 Degree, OTA Dependent

AZ5 MOUNT

WARNING:

- Do not look at the sun through a telescope. Viewing the sun or other strong light sources through a telescope could cause permanent visual impairment.
- Keep out of reach of children. Failure to do so could result in injury. Moreover, note that small parts constitute a choking hazard. Consult a physician immediately if a child swallows any part of this equipment.
- Do not disassemble. Touching the product's internal parts could result in injury. In the event of malfunction, take the product to a Sky-Watcher authorized service center.